

MOTOMAN GA50

Laser Welding, Cutting & Cladding

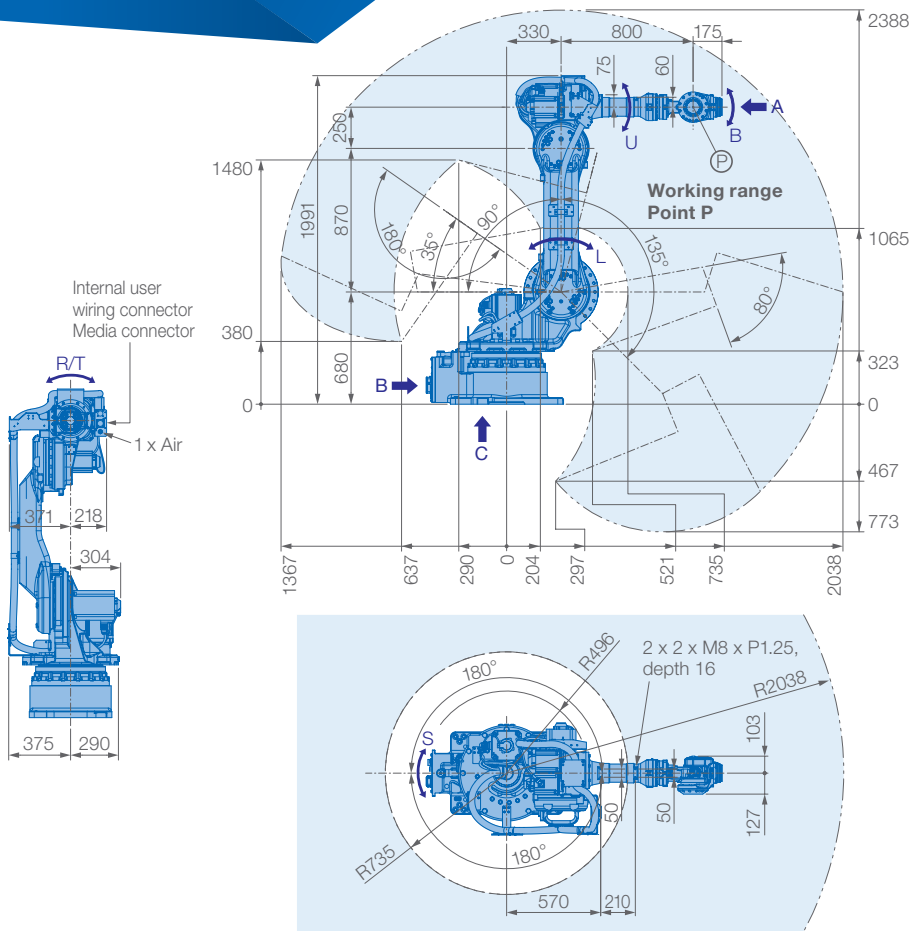


The MOTOMAN GA50 robot is designed for applications that require the highest precision and path accuracy, such as 3D laser welding or cutting. In combination with the advanced Sigma-7 servo drive technology and tolerance-optimized precision gearboxes, this manipulator achieves very high positioning and path accuracy paired with high mechanical stiffness. Geometries such as circles, curves or straight paths are driven with a precision that is unique for 6 axis articulated robots. The payload and reach combination of the MOTOMAN GA50 allows processing of large workpieces using common laser heads.

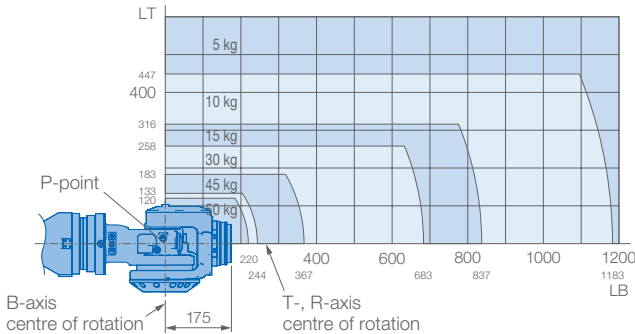
The MOTOMAN YRC1000 high-performance robot controller offers a wide range of path-related programming functions, interfaces and communication options for integrating the robot.

KEY BENEFITS

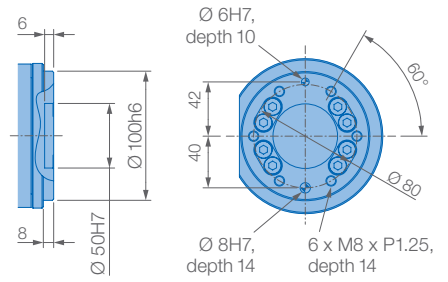
- Welding and cutting of workpieces for highest quality demands
- High path accuracy and performance due to precision servo drives and optimized gears
- IP67 wrist protection class for use in harsh environments
- Suitable for a wide range of laser heads
- Easy to integrate due to slim design and small footprint



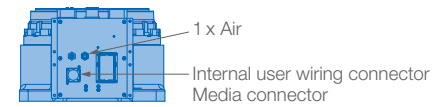
Allowable wrist load



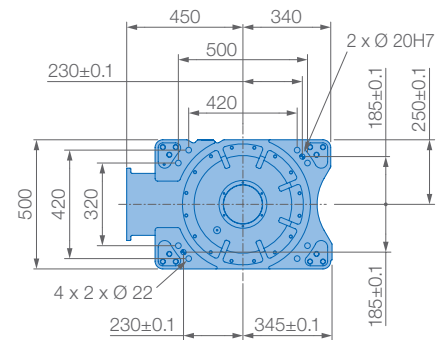
View A



View B



View C



Mounting option: Floor
IP Protection: IP54/67

Specifications GA50

Axes	Maximum motion range [°]	Maximum speed [°/s]	Allowable moment [Nm]	Allowable moment of inertia [kg · m ²]	Controlled axes	6
S	±180	150	-	-	Max. payload [kg]	50
L	+135/-90	150	-	-	Repeatability [mm]	±0.015
U	+180/-80	150	-	-	Max. working range R [mm]	2038
R	±360	250	110	7	Temperature [°C]	0 to +45
B	±125	250	110	7	Humidity [%]	20 - 80
T	±360	250	55	1	Weight [kg]	855
					Power supply, average [kVA]	4.5

Yaskawa Europe GmbH

Robotics Division
Yaskawastraße 1
85391 Allershausen
Germany

Tel. +49 (0) 8166 90-0
robotics@yaskawa.eu
www.yaskawa.eu

YR-1-06VXA50-A00
A-03-2022, A-No. 222099