

- Compact style
- Modular design
- Precise servo technology

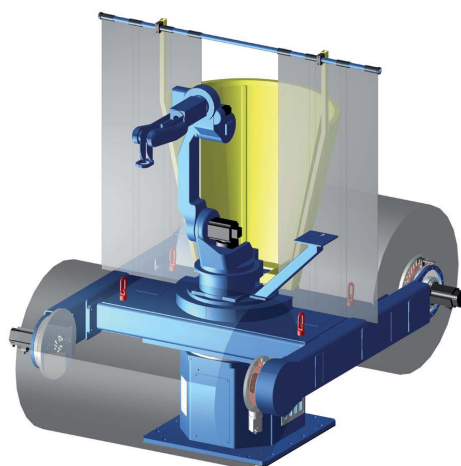
This is a 2-station positioner with an endlessly rotating horizontal rotary axis each and a station changer. The station change is made by reversing. Depending on the size of the positioner, workpieces up to a length of 6000 mm and a maximum weight of 2000 kg can be moved.

Use the diagram on the backside to find the positioner needed for the required application based on the weight and the distance to the faceplate from the centre of gravity.

As an option the robots can be placed in the centre of the table. The robot is fastened to a base that is permanently attached to the basic drive. The designation for the positioner including robot is RWV2 M.

Other options are:

- Electrical feedthroughs (16-pin, ASI bus, Profi bus)
- Feedthroughs for compressed air and hydraulics
- Installing robots in the centre of the positioner table (typ RWV2 M)
- Standardised fixture frames

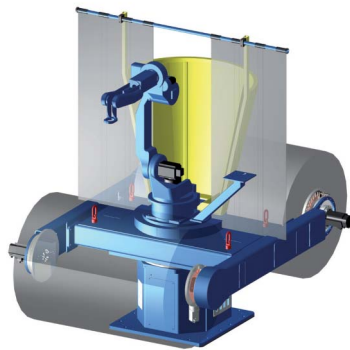
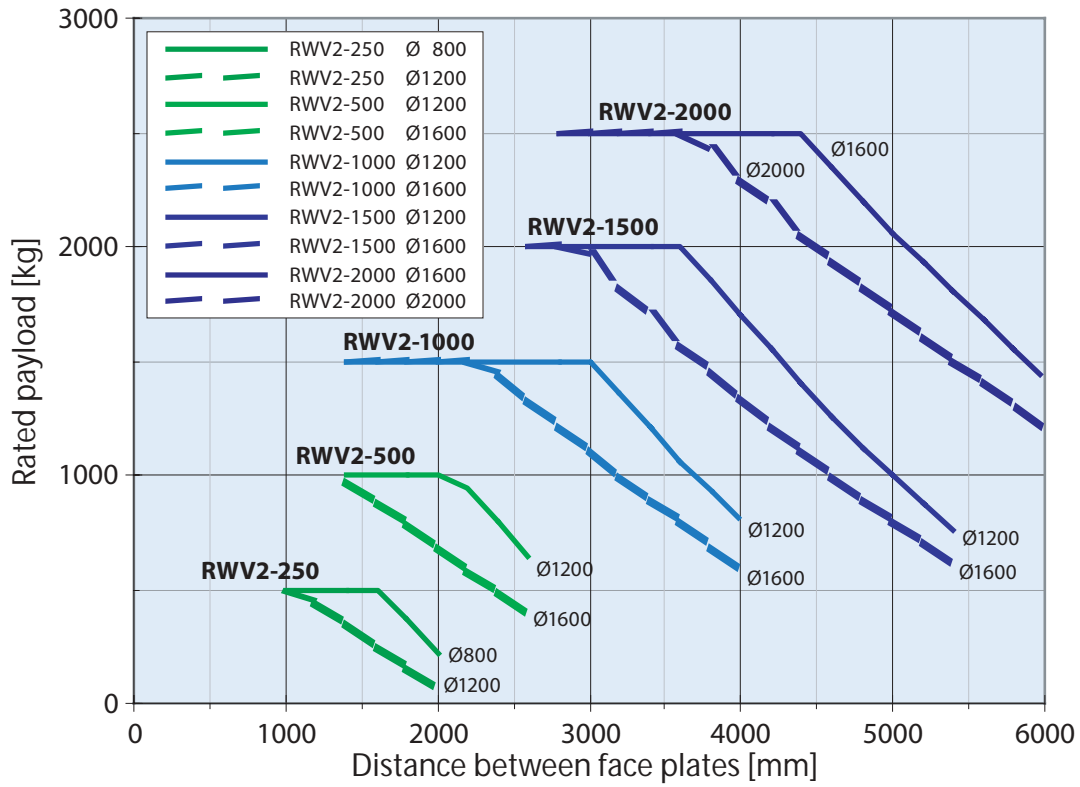


Technical data		RWV2-250	RWV2-500	RWV2-1000	RWV2-1500	RWV2-2000
Rated payload	kg	250	500	1000	1500	2500
Height of tilt axis	mm	1000 to 2200	1400 to 2800	1400 to 4000	2500 to 5500	2800 to 6000
Diameter workpiece	mm	800 to 1200	1600 to 2000	1600 to 2000	1600 to 2000	1600 to 2000
Base drive			R-2000	R-3000	R-4000	R-5000
Type		Direct drive			Solid state indexing	
Rated torque	Nm	1040	4440	3980	7400	9850
Maximum torque	Nm	3200	10550	9100	16900	22500
Maximum speed	°/sec	90	85	57	45	34
Index time (90°)	sec	3,4	3,4	4,5	5,2	6,5
Rotation drive		DD-250	DD-500	DD-750	DD-1000	DD-1500
Rated torque	Nm	500	940	1400	2070	3240
Rated offset COG (center of gravity)	mm	200	188	140	138	162
Maximum speed	°/sec	152	170	170	170	126
Index time (180°)	sec	1,4	1,5	1,6	1,6	2,2

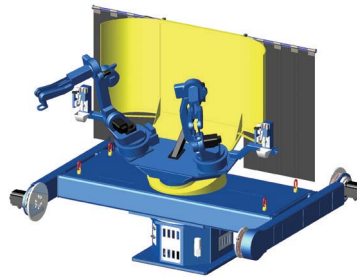
RWV2

One axes positioner
2-station

Rated payload of 2-station positioner



RWV2 M1-1000



RWV2 M2-1500

Technical data may be subject to change without previous notice
© MOTOMAN Robotics Europe AB - Reg. No. 1026EN-00 - 2007-09