

TSL-2000, TSL-4000

Floor mounted track.

Key benefits

- Outstanding speed.
- Quiet operation.
- For high payload robots.

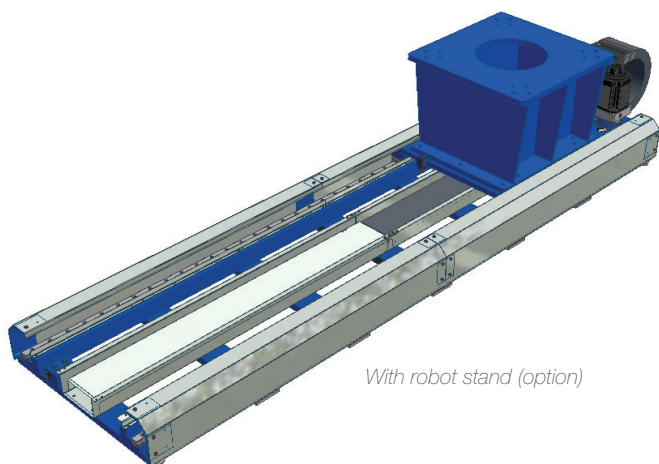
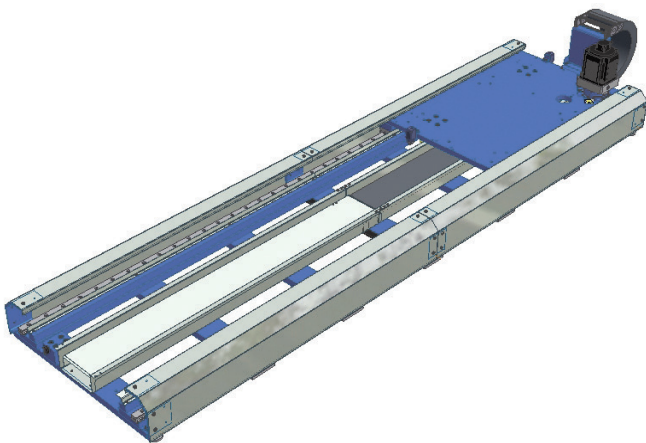
This is a servo powered floor mounted track with one or two robot carriages. It can be used to transport a robot from one station to another, or to increase the robot's working range. The TSL track is prepared for zeroing function.

The TSL track is built with a starting module of four meter which can be extended in two-meter intervals up to 24 meters in total.

For shelf robots we always recommend using a robot stand in order to utilise the robot's full working range.

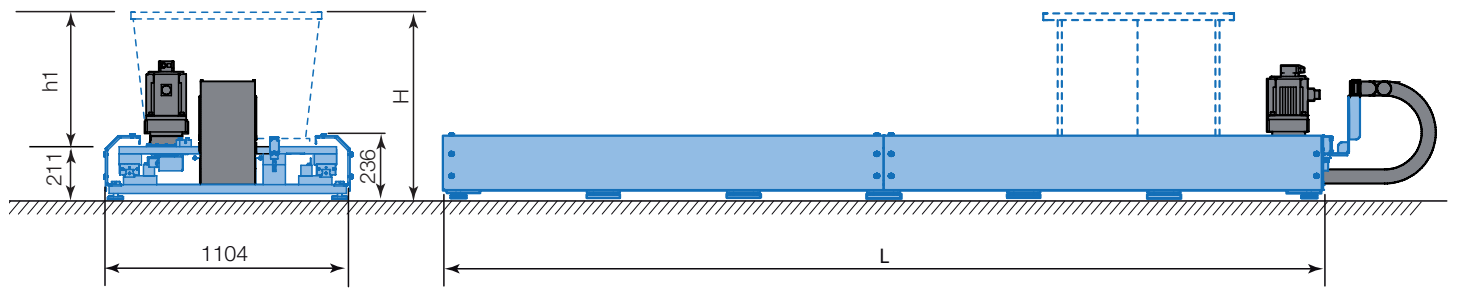
Options

- Automatic lubrication of rack and guide blocks.
- Integrated robot stand, total height (H) 1334 mm.
- Robot stands 250, 400 and 600 mm.
- Automatic lubrication (rack and guide blocks).
- Mechanical zeroing function.

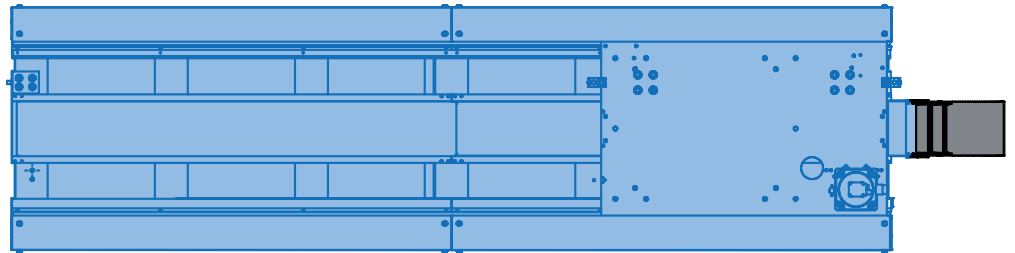


With robot stand (option)

TSL-2000S, TSL-4000



Optional robot stand	
h1 (mm)	H (mm)
250	461
400	611
600	811



All dimensions are for reference only.
Request detailed drawings for design/engineering requirements!

Technical data	TSL-2000 SY	TSL-4000 SY
Maximum payload	2000 kg	4000 kg
Maximum speed	1.7 m/s	1.3 m/s
ED	50%	50%
Acceleration velocity	2.14 m/s ²	2.0 m/s ²
Travel 1000 mm	1.54 sec	1.93 sec
Repetitive position accuracy	±0.08 mm	±0.08 mm
Height	236 mm	236 mm
Height (H) including robot stand	461, 611, 811, 1334 mm	461, 611, 811, 1334 mm
Standard length (L)	4, 6, 8 etc. up to 24 m (in 2m/steps) *)	4, 6, 8 etc. up to 24 m (in 2m/steps) *)
Travel length, stroke (TL)	L -1340 mm	L -1340 mm

*) Other lengths can be quoted upon request.

YASKAWA



YASKAWA Nordic AB
PO Box 504
SE-385 25 Torsås, SWEDEN

Phone +46 480 41 78 00
info.se@yaskawa.eu.com
www.yaskawa.eu.com